

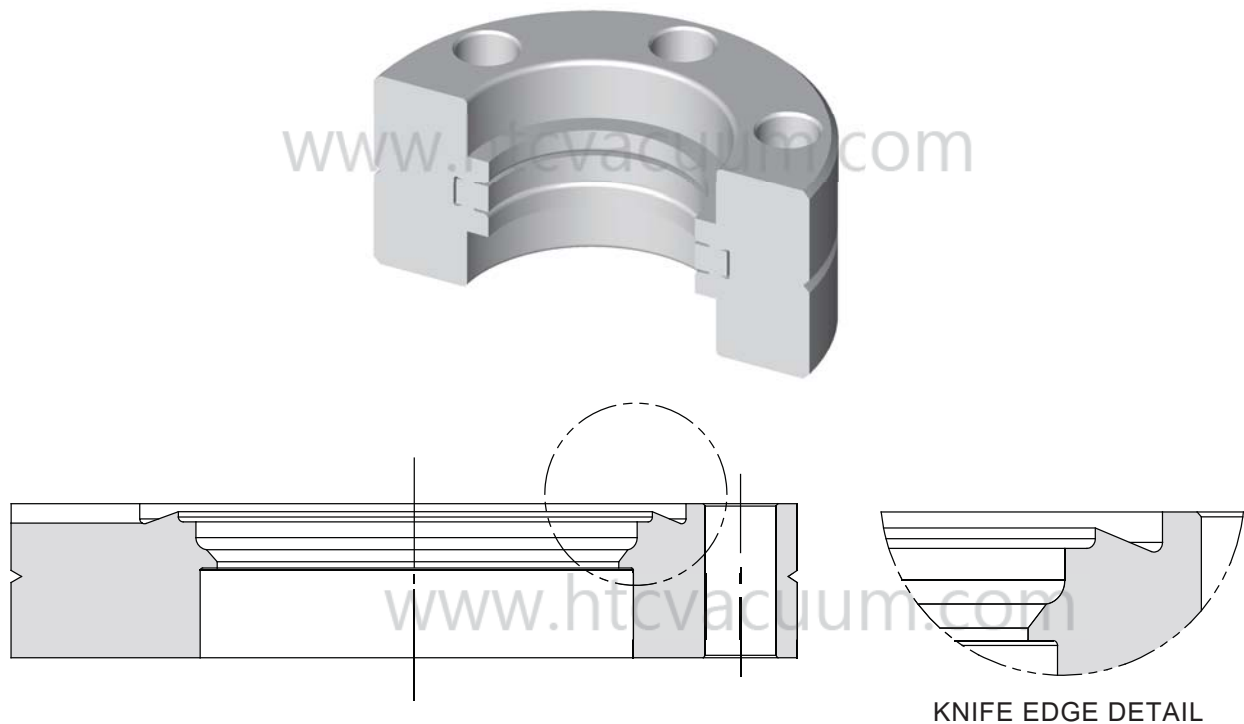
03 CF SERIES

General Information	3-2
Technical Data	3-4
Applications for CF Components.....	3-5
Connections of CF-series Fittings	3-5
Blank	3-6
Bored Blank (CF16).....	3-10
Bored Blank-Neck (CF16)	3-11
Bored Blank-Neck (CR16).....	3-12
Bored Flange	3-13
Reducing Flange.....	3-17
Half Nipple.....	3-18
Plate Nut	3-19
Cap.....	3-19
OFHC Copper Gasket	3-20
OFHC Annealed Gasket.....	3-21
OFHC+Silver plated Gasket.....	3-22
Viton Gasket	3-23
CF Flexible Hoses- Rotatable	3-24
CF Compressible Bellows Connections Rotatable	3-25
CF Nipples-Fixed	3-26
CF Nipples-Rotatable	3-26
CF 90° Elbows-Fixed	3-27
CF 90° Elbows-Rotatable.....	3-27
CF Tees-Fixed	3-28
CF Tees- Rotatable	3-28
CF 4 Way Crosses-Fixed	3-29
CF 4 Way Crosses-Rotatable.....	3-29
CF Five-Way Crosses-Fixed	3-30
CF Five-Way Crosses-Rotatable	3-30
CF Six-Way Crosses-Fixed	3-31
CF Six-Way Crosses- Rotatable	3-31
CF CUBES with Fractional Thread	3-32
CF CUBES with Metric Thread.....	3-32



CF SERIES

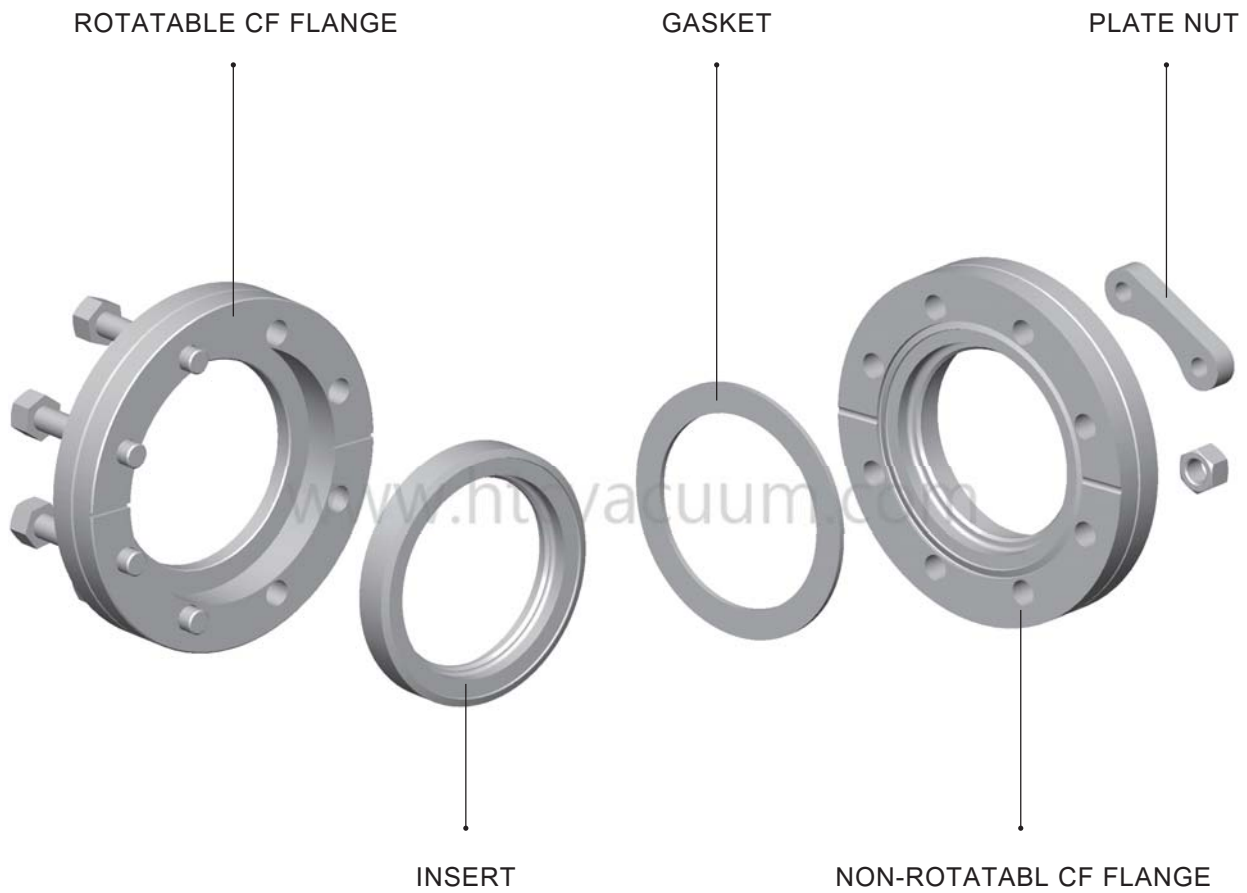
➤ General Information



Features

- The high sealing effect and the low leak rates performance of CF flange connections is a result of gasket material. When assembling the CF flange connect, the knife edge is pressed into the flat copper gasket and force the seal material both axially as well as radially outwards to the flange. The material is enclosed and cannot flow even at high bakeout temperature. Due to this deformation of the seal such connections may sometimes stick together. They can be easily separated with a special tool or screwdriver.
- Offered in both rotatable and nonrotatable versions with through holes and tapped bolt holes. Metric tapped holes and untapped holes flanges are identical products. UNC or UNF or other tapped holes can be ordered as specials.

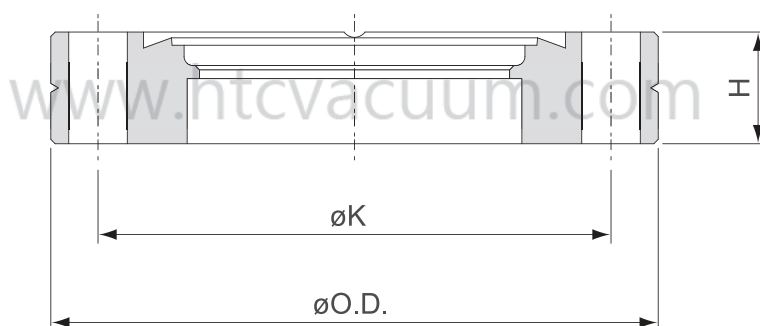
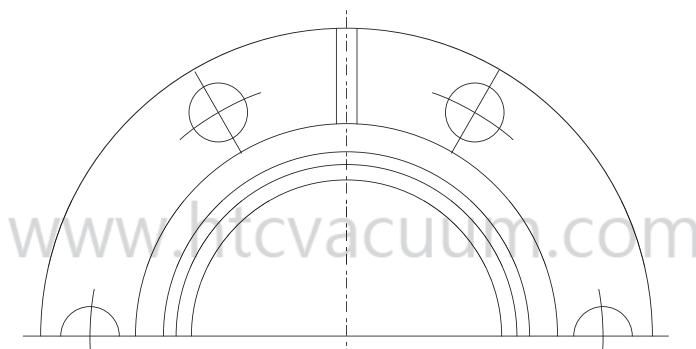
➤ **General Information**



Specifications

- Blanks & Flanges : 304 S.S. (Other material available upon request)
- Gaskets : OFHC Copper or Viton
- Bolt : 304 S.S.
- Temp. Range : -200°C ~ 450°C (OFHC Copper)
- Vacuum Range : 1×10^{-13} mbar
- Torque Rating : CF35 and smaller 220 kgf-cm
CF63 and larger 360 kgf-cm
- Larger or special size available upon request

➔ Technical Data



DN	CF	16	35	63	100	150	200	250	275	300-14"	300	350
Inch spec.	Inch	1-1/3"	2-3/4"	4-1/2"	6"	8"	10"	12"	13-1/4"	14"	14-1/2"	16-1/2"
Outside diameter O.D.	mm	33.8	69.5	113.6	151.6	202.5	253.2	304	336.6	355.6	368.3	419.1
Bolt circle diameter K	mm	26.9	58.7	92.1	130.3	181	231.8	284	306.3	325.5	338.1	388.9
Height H	mm	7.5	12.7	18	20	22	24.7	28.5	28.5	28.5	28.5	28.5
Number of holes	mm	6	6	8	16	20	24	32	30	30	32	36
Hole diameter	mm	4.4	6.7	8.4	8.4	8.4	8.4	8.4	10.3	10.3	10.3	10.3



➤ Applications for CF Components

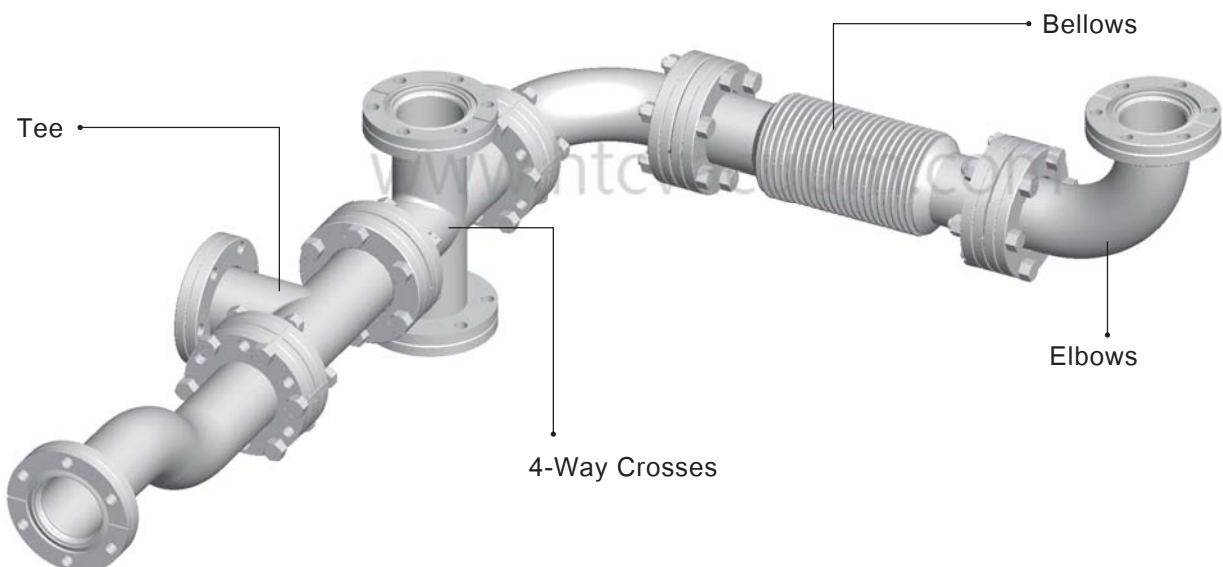
Assembly

- The CF flange connection consists of two identical flanges with a flat gasket made of OFHC copper, bolts, nuts. Because the applications are UHV environments, so the preparation work is very important before installation. Surface cleaning guarantees the lowest possible outgassing and leak rates.
- Using clean lint free gloves, place pre-cleaned OFHC copper gasket against knife edge seal, preferably the flange most likely to hold and support gasket from falling. With gasket in place fit mating flange with desired bolt orientation; if flanges are fitted with leak test grooves, they should aligned.
- With flanges aligned, insert proper size bolt and hand tighten. Repeat this procedure with remaining bolts. After hand tightening all bolts, support bolt and tighten nut using two closed-end box wrenches. (washer are used on nut side)

CF flanges are suited for use in applications requiring a very clean environment, ultrahigh vacuum conditions, high temperature or where critical or dangerous materials must be contained or excluded. This include:

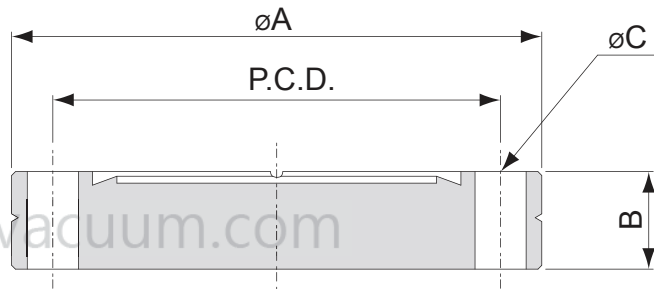
- 1 Difficult applications with corrosive radioactive, toxic or air sensitive materials.
- 2 Materials creation and processing such as molecular beam epitaxy.
- 3 Analytical instrumentation including Auger electron spectrometers and electron microscopes.
- 4 High energy physics installations such as accelerators and fusion devices

➤ Connections of CF-series Fittings



Blank

Nonrotatable



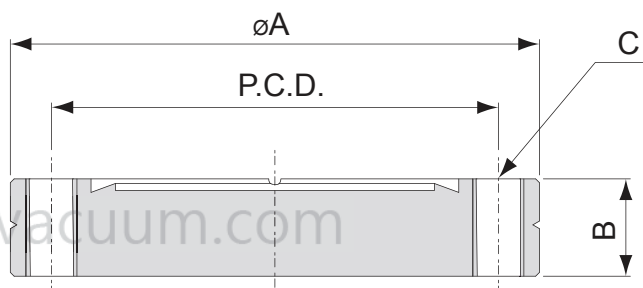
Model No.	Material	A	B	C*No.	P.C.D.	Parts No.
CF16B	304 S.S.	33.8	7.5	4.4*6	26.9	154102003
CF35B	304 S.S.	69.5	12.7	6.7*6	58.7	154104003
CF63B	304 S.S.	113.6	18	8.4*8	92.1	154107003
CF100B	304 S.S.	151.6	20	8.4*16	130.3	154109003
CF150B	304 S.S.	202.5	22	8.4*20	181	154111003
CF200B	304 S.S.	253.2	24.7	8.4*24	231.8	154113003
CF250B	304 S.S.	304	28.5	8.4*32	284	1541X1003
CF275B	304 S.S.	336.5	28.5	10.3*30	306.3	154114003
CF300B-14"	304 S.S.	355.6	28.5	10.3*30	325.5	154115003
CF300B	304 S.S.	368.3	28.5	10.3*32	338.1	1541X2003
CF350B	304 S.S.	419.1	28.5	10.3*36	388.9	154117003
CF16B-316	316 S.S.	33.8	7.5	4.4*6	26.9	154102005
CF35B-316	316 S.S.	69.5	12.7	6.7*6	58.7	154104005
CF63B-316	316 S.S.	113.6	18	8.4*8	92.1	154107005
CF100B-316	316 S.S.	151.6	20	8.4*16	130.3	154109005
CF150B-316	316 S.S.	202.5	22	8.4*20	181	154111005
CF200B-316	316 S.S.	253.2	24.7	8.4*24	231.8	154113005
CF250B-316	316 S.S.	304	28.5	8.4*32	284	1541X1005
CF275B-316	316 S.S.	336.5	28.5	10.3*30	306.3	154114005
CF300B-14"-316	316 S.S.	355.6	28.5	10.3*30	325.5	154115005
CF300B-316	316 S.S.	368.3	28.5	10.3*32	338.1	1541X2005
CF350B-316	316 S.S.	419.1	28.5	10.3*36	388.9	154117005

Note: Inch spec. refer to page 3-4



Blank

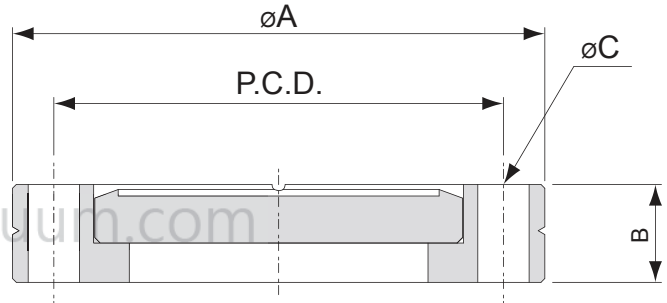
Nonrotatable-Tapped Bolt Holes



Model No.	Material	A	B	C*No.	P.C.D.	Parts No.
CF16BTAP	304 S.S.	33.8	7.5	M4*6	26.9	154202003
CF35BTAP	304 S.S.	69.5	12.7	M6*6	58.7	154204003
CF63BTAP	304 S.S.	113.6	18	M8*8	92.1	154207003
CF100BTAP	304 S.S.	151.6	20	M8*16	130.3	154209003
CF150BTAP	304 S.S.	202.5	22	M8*20	181	154211003
CF200BTAP	304 S.S.	253.2	24.7	M8*24	231.8	154213003
CF250BTAP	304 S.S.	304	28.5	M8*32	284	1542X1003
CF275BTAP	304 S.S.	336.5	28.5	M10*30	306.3	154214003
CF300BTAP-14"	304 S.S.	355.6	28.5	M10*30	325.5	154215003
CF300BTAP	304 S.S.	368.3	28.5	M10*32	338.1	1542X2003
CF350BTAP	304 S.S.	419.1	28.5	M10*36	388.9	154217003
CF16BTAP-316	316 S.S.	33.8	7.5	M4*6	26.9	154202005
CF35BTAP-316	316 S.S.	69.5	12.7	M6*6	58.7	154204005
CF63BTAP-316	316 S.S.	113.6	18	M8*8	92.1	154207005
CF100BTAP-316	316 S.S.	151.6	20	M8*16	130.3	154209005
CF150BTAP-316	316 S.S.	202.5	22	M8*20	181	154211005
CF200BTAP-316	316 S.S.	253.2	24.7	M8*24	231.8	154213005
CF250BTAP-316	316 S.S.	304	28.5	M8*32	284	1542X1005
CF275BTAP-316	316 S.S.	336.5	28.5	M10*30	306.3	154214005
CF300BTAP-14"-316	316 S.S.	355.6	28.5	M10*30	325.5	154215005
CF300BTAP-316	316 S.S.	368.3	28.5	M10*32	338.1	1542X2005
CF350BTAP-316	316 S.S.	419.1	28.5	M10*36	388.9	154217005

Note: Inch spec. refer to page 3-4

Blank
Rotatable



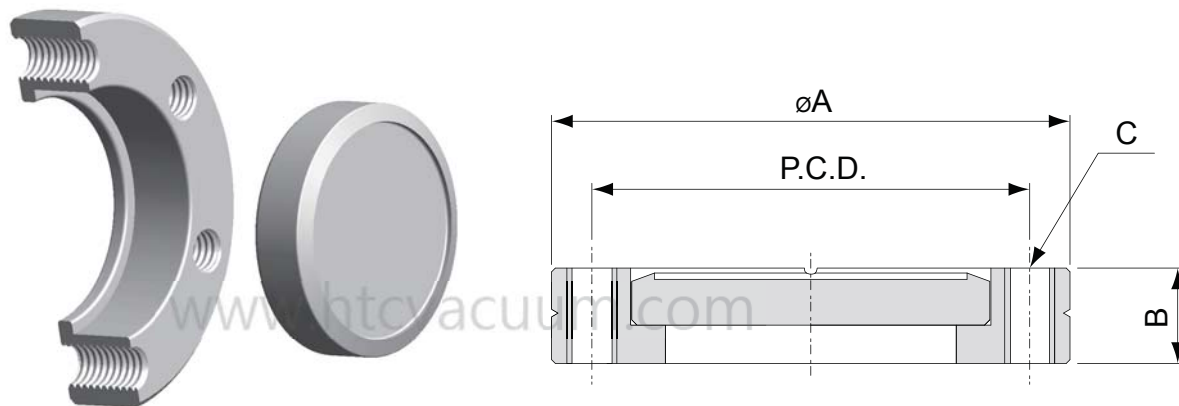
Model No.	Material	A	B	C*No.	P.C.D.	Parts No.
CR16B	304 S.S.	33.8	7.5	4.4*6	26.9	154302003
CR35B	304 S.S.	69.5	12.7	6.7*6	58.7	154304003
CR63B	304 S.S.	113.6	19	8.4*8	92.1	154307003
CR100B	304 S.S.	151.6	21.5	8.4*16	130.3	154309003
CR150B	304 S.S.	202.5	24	8.4*20	181	154311003
CR200B	304 S.S.	253.2	24.7	8.4*24	231.8	154313003
CR250B	304 S.S.	304	28.5	8.4*32	284	1543X1003
CR275B	304 S.S.	336.5	28.5	10.3*30	306.3	154314003
CR300B-14"	304 S.S.	355.6	28.5	10.3*30	325.5	154315003
CR300B	304 S.S.	368.3	28.5	10.3*32	338.1	1543X2003
CR350B	304 S.S.	419.1	28.5	10.3*36	388.9	154317003
CR16B-316	316 S.S.	33.8	7.5	4.4*6	26.9	154302005
CR35B-316	316 S.S.	69.5	12.7	6.7*6	58.7	154304005
CR63B-316	316 S.S.	113.6	19	8.4*8	92.1	154307005
CR100B-316	316 S.S.	151.6	21.5	8.4*16	130.3	154309005
CR150B-316	316 S.S.	202.5	24	8.4*20	181	154311005
CR200B-316	316 S.S.	253.2	24.7	8.4*24	231.8	154313005
CR250B-316	316 S.S.	304	28.5	8.4*32	284	1543X1005
CR275B-316	316 S.S.	336.5	28.5	10.3*30	306.3	154314005
CR300B-14"-316	316 S.S.	355.6	28.5	10.3*30	325.5	154315005
CR300B-316	316 S.S.	368.3	28.5	10.3*32	338.1	1543X2005
CR350B-316	316 S.S.	419.1	28.5	10.3*36	388.9	154317005

Note: Inch spec. refer to page 3-4



Blank

Rotatable-Tapped Bolt Holes



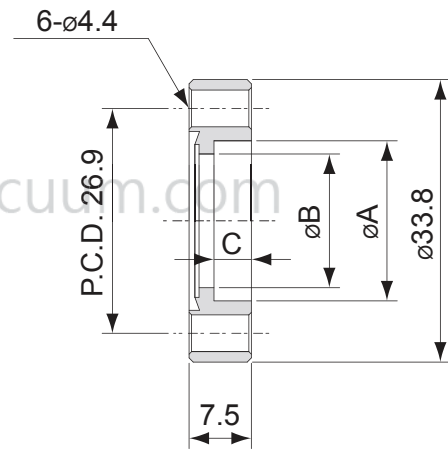
Model No.	Material	A	B	C*No.	P.C.D.	Parts No.
CR16BTAP	304 S.S.	33.8	7.5	M4*6	26.9	154402003
CR35BTAP	304 S.S.	69.5	12.7	M6*6	58.7	154404003
CR63BTAP	304 S.S.	113.6	19	M8*8	92.1	154407003
CR100BTAP	304 S.S.	151.6	21.5	M8*16	130.3	154409003
CR150BTAP	304 S.S.	202.5	24	M8*20	181	154411003
CR200BTAP	304 S.S.	253.2	24.7	M8*24	231.8	154413003
CR250BTAP	304 S.S.	304	28.5	M8*32	284	1544X1003
CR275BTAP	304 S.S.	336.5	28.5	M10*30	306.3	154414003
CR300BTAP-14"	304 S.S.	355.6	28.5	M10*30	325.5	154415003
CR300BTAP	304 S.S.	368.3	28.5	M10*32	338.1	1544X2003
CR350BTAP	304 S.S.	419.1	28.5	M10*36	388.9	154417003
CR16BTAP-316	316 S.S.	33.8	7.5	M4*6	26.9	154402005
CR35BTAP-316	316 S.S.	69.5	12.7	M6*6	58.7	154404005
CR63BTAP-316	316 S.S.	113.6	19	M8*8	92.1	154407005
CR100BTAP-316	316 S.S.	151.6	21.5	M8*16	130.3	154409005
CR150BTAP-316	316 S.S.	202.5	24	M8*20	181	154411005
CR200BTAP-316	316 S.S.	253.2	24.7	M8*24	231.8	154413005
CR250BTAP-316	316 S.S.	304	28.5	M8*32	284	1544X1005
CR275BTAP-316	316 S.S.	336.5	28.5	M10*30	306.3	154414005
CR300BTAP-14"-316	316 S.S.	355.6	28.5	M10*30	325.5	154415005
CR300BTAP-316	316 S.S.	368.3	28.5	M10*32	338.1	1544X2005
CR350BTAP-316	316 S.S.	419.1	28.5	M10*36	388.9	154417005



Note: Inch spec. refer to page 3-4

➔ **Bored Blank (CF16)**

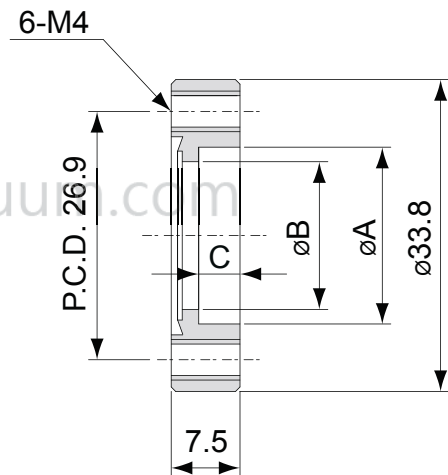
Nonrotatable



Model No.	Material	Inch spec.	A	B	C	Parts No.
CF16B7	304 S.S.	1-1/3"	6.5	5.5	5.3	154502043
CF16B12	304 S.S.	1-1/3"	12.9	10.4	4.5	154502073
CF16B19	304 S.S.	1-1/3"	19.15	16	4.5	154502093
CF16B7-316	316 S.S.	1-1/3"	6.5	5.5	5.3	154502045
CF16B12-316	316 S.S.	1-1/3"	12.9	10.4	4.5	154502075
CF16B19-316	316 S.S.	1-1/3"	19.15	16	4.5	154502095

➔ **Bored Blank (CF16)**

Nonrotatable-Tapped Bolt Holes

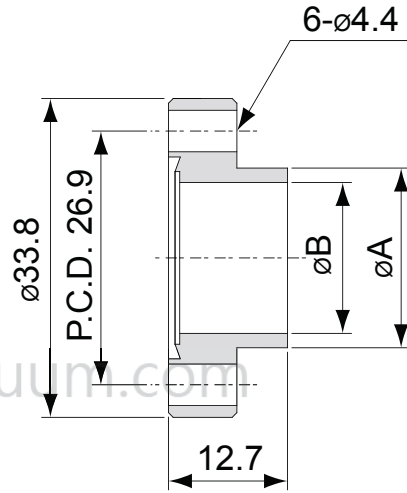


Model No.	Material	Inch spec.	A	B	C	Parts No.
CF16B7TAP	304 S.S.	1-1/3"	6.5	5.5	5.3	154602043
CF16B12TAP	304 S.S.	1-1/3"	12.9	10.4	4.5	154602073
CF16B19TAP	304 S.S.	1-1/3"	19.15	16	4.5	154602093
CF16B7TAP-316	316 S.S.	1-1/3"	6.5	5.5	5.3	154602045
CF16B12TAP-316	316 S.S.	1-1/3"	12.9	10.4	4.5	154602075
CF16B19TAP-316	316 S.S.	1-1/3"	19.15	16	4.5	154602095



➔ **Bored Blank-Neck(CF16)**

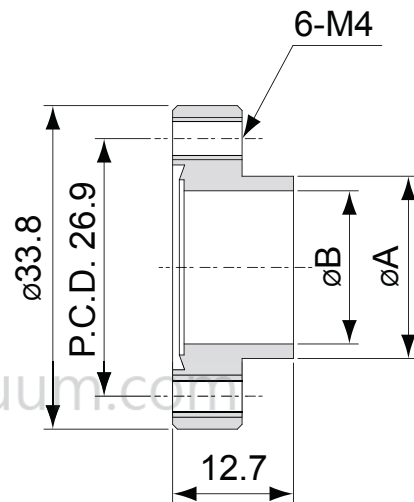
Nonrotatable



Model No.	Material	Inch spec.	A	B	Parts No.
CF16B7N	304 S.S.	1-1/3"	6.35	4.5	154902043
CF16B12N	304 S.S.	1-1/3"	12.7	9.5	154902073
CF16B19N	304 S.S.	1-1/3"	19.05	16	154902093
CF16B7N-316	316 S.S.	1-1/3"	6.35	4.5	154902045
CF16B12N-316	316 S.S.	1-1/3"	12.7	9.5	154902075
CF16B19N-316	316 S.S.	1-1/3"	19.05	16	154902095

➔ **Bored Blank-Neck(CF16)**

Nonrotatable-Tapped Bolt Holes

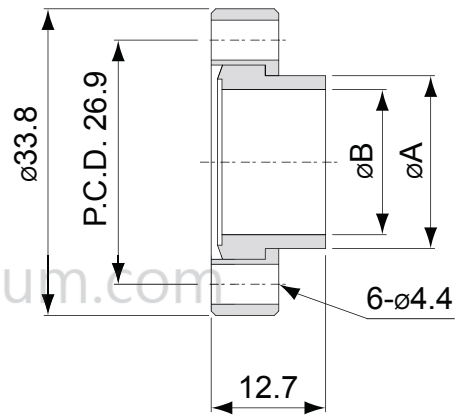


Model No.	Material	Inch spec.	A	B	Parts No.
CF16B7TAPN	304 S.S.	1-1/3"	6.35	4.5	155002043
CF16B12TAPN	304 S.S.	1-1/3"	12.7	9.5	155002073
CF16B19TAPN	304 S.S.	1-1/3"	19.05	16	155002093
CF16B7TAPN-316	316 S.S.	1-1/3"	6.35	4.5	155002045
CF16B12TAPN-316	316 S.S.	1-1/3"	12.7	9.5	155002075
CF16B19TAPN-316	316 S.S.	1-1/3"	19.05	16	155002095



➤ Bored Blank-Neck (CR16)

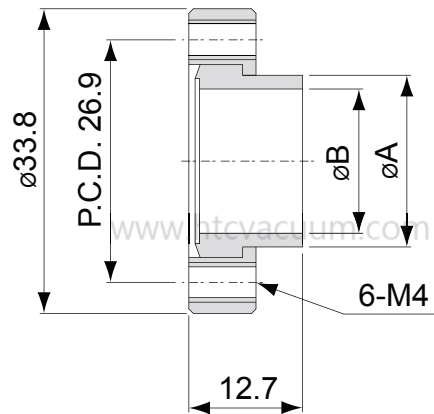
Rotatable



Model No.	Material	Inch spec.	A	B	Parts No.
CR16B7N	304 S.S.	1-1/3"	6.35	4.5	155102043
CR16B12N	304 S.S.	1-1/3"	12.7	9.5	155102073
CR16B19N	304 S.S.	1-1/3"	19.05	16	155102093
CR16B7N-316	316 S.S.	1-1/3"	6.35	4.5	155102045
CR16B12N-316	316 S.S.	1-1/3"	12.7	9.5	155102075
CR16B19N-316	316 S.S.	1-1/3"	19.05	16	155102095

➤ Bored Blank-Neck (CR16)

Rotatable-Tapped Bolt Holes

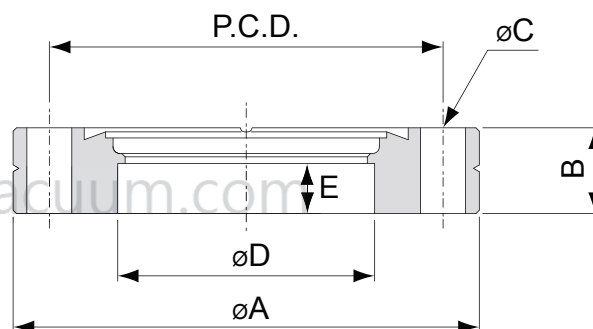


Model No.	Material	Inch spec.	A	B	Parts No.
CR16B7TAPN	304 S.S.	1-1/3"	6.35	4.5	155202043
CR16B12TAPN	304 S.S.	1-1/3"	12.7	9.5	155202073
CR16B19TAPN	304 S.S.	1-1/3"	19.05	16	155202093
CR16B7TAPN-316	316 S.S.	1-1/3"	6.35	4.5	155202045
CR16B12TAPN-316	316 S.S.	1-1/3"	12.7	9.5	155202075
CR16B19TAPN-316	316 S.S.	1-1/3"	19.05	16	155202095



➤ Bored Flange

Nonrotatable



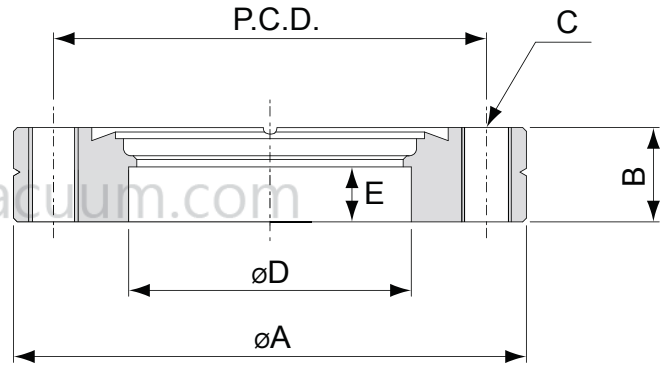
Model No.	Material	A	B	C*No.	D	E	P.C.D.	Parts No.
CF35B25	304 S.S.	69.5	12.7	6.7*6	25.6	7.4	58.7	154504113
CF35B38	304 S.S.	69.5	12.7	6.7*6	38.3	7.4	58.7	154504133
CF35B42	304 S.S.	69.5	12.7	6.7*6	42.9	7.4	58.7	154504AG3
CF63B51	304 S.S.	113.6	18	8.4*8	51.1	8.5	92.1	154507143
CF63B63	304 S.S.	113.6	18	8.4*8	63.7	8.5	92.1	154507153
CF100B102	304 S.S.	151.6	20	8.4*16	102.2	8.9	130.3	154509183
CF150B153	304 S.S.	202.5	22	8.4*20	153.1	9.3	181	154511203
CF200B204	304 S.S.	253.2	24.7	8.4*24	203.7	12	231.8	154513213
CF250B255	304 S.S.	304	28.5	8.4*32	255	15.8	284	1545X1223
CF275B255	304 S.S.	336.5	28.5	10.3*30	255	15.8	306.3	154514223
CF300B305-14"	304 S.S.	355.6	28.5	10.3*30	305.3	15.8	325.5	154515233
CF300B305	304 S.S.	368.3	28.5	10.3*32	305.3	15.8	338.1	1545X2233
CR350B356	304 S.S.	419.1	28.5	10.3*36	356.1	15.8	388.9	154517243
CF35B25-316	316 S.S.	69.5	12.7	6.7*6	25.6	7.4	58.7	154504115
CF35B38-316	316 S.S.	69.5	12.7	6.7*6	38.3	7.4	58.7	154504135
CF35B42-316	316 S.S.	69.5	12.7	6.7*6	42.9	7.4	58.7	154504AG5
CF63B51-316	316 S.S.	113.6	18	8.4*8	51.1	8.5	92.1	154507145
CF63B63-316	316 S.S.	113.6	18	8.4*8	63.7	8.5	92.1	154507155
CF100B102-316	316 S.S.	151.6	20	8.4*16	102.2	8.9	130.3	154509185
CF150B153-316	316 S.S.	202.5	22	8.4*20	153.1	9.3	181	154511205
CF200B204-316	316 S.S.	253.2	24.7	8.4*24	203.7	12	231.8	154513215
CF250B255-316	316 S.S.	304	28.5	8.4*32	255	15.8	284	1545X1225
CF275B255-316	316 S.S.	336.5	28.5	10.3*30	255	15.8	306.3	154514225
CF300B305-14"-316	316 S.S.	355.6	28.5	10.3*30	305.3	15.8	325.5	154515235
CF300B305-316	316 S.S.	368.3	28.5	10.3*32	305.3	15.8	338.1	1545X2235
CF350B356-316	316 S.S.	419.1	28.5	10.3*36	356.1	15.8	388.9	154517245

Note: Inch spec. refer to page 3-4



➤ Bored Flange

Nonrotatable-Tapped Bolt Holes



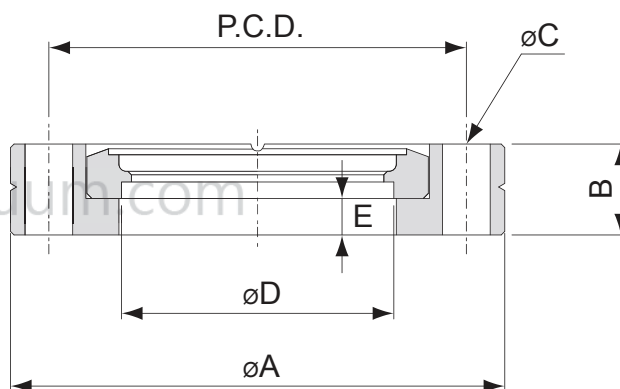
Model No.	Material	A	B	C*No.	D	E	P.C.D.	Parts No.
CF35B25TAP	304 S.S.	69.5	12.7	M6*6	25.6	7.4	58.7	154604113
CF35B38TAP	304 S.S.	69.5	12.7	M6*6	38.3	7.4	58.7	154604133
CF35B42TAP	304 S.S.	69.5	12.7	M6*6	42.9	7.4	58.7	154604AG3
CF63B51TAP	304 S.S.	113.6	18	M8*8	51.1	8.5	92.1	154607143
CF63B63TAP	304 S.S.	113.6	18	M8*8	63.7	8.5	92.1	154607153
CF100B102TAP	304 S.S.	151.6	20	M8*16	102.2	8.9	130.3	154609183
CF150B153TAP	304 S.S.	202.5	22	M8*20	153.1	9.3	181	154611203
CF200B204TAP	304 S.S.	253.2	24.7	M8*24	203.7	12	231.8	154613213
CF250B255TAP	304 S.S.	304	28.5	M8*32	255	15.8	284	1546X1223
CF275B255TAP	304 S.S.	336.5	28.5	M10*30	255	15.8	306.3	154614223
CF300B305TAP-14"	304 S.S.	355.6	28.5	M10*30	305.3	15.8	325.5	154615233
CF300B305TAP	304 S.S.	368.3	28.5	M10*32	305.3	15.8	338.1	1546X2233
CF350B356TAP	304 S.S.	419.1	28.5	M10*36	356.1	15.8	388.9	154617243
CF35B25TAP-316	316 S.S.	69.5	12.7	M6*6	25.6	7.4	58.7	154604115
CF35B38TAP-316	316 S.S.	69.5	12.7	M6*6	38.3	7.4	58.7	154604135
CF35B42TAP-316	316 S.S.	69.5	12.7	M6*6	42.9	7.4	58.7	154604AG5
CF63B51TAP-316	316 S.S.	113.6	18	M8*8	51.1	8.5	92.1	154607145
CF63B63TAP-316	316 S.S.	113.6	18	M8*8	63.7	8.5	92.1	154607155
CF100B102TAP-316	316 S.S.	151.6	20	M8*16	102.2	8.9	130.3	154609185
CF150B153TAP-316	316 S.S.	202.5	22	M8*20	153.1	9.3	181	154611205
CF200B204TAP-316	316 S.S.	253.2	24.7	M8*24	203.7	12	231.8	154613215
CF250B255TAP-316	316 S.S.	304	28.5	M8*32	255	15.8	284	1546X1225
CF275B255TAP-316	316 S.S.	336.5	28.5	M10*30	255	15.8	306.3	154614225
CF300B305TAP-14"-316	316 S.S.	355.6	28.5	M10*30	305.3	15.8	325.5	154615235
CF300B305TAP-316	316 S.S.	368.3	28.5	M10*32	305.3	15.8	338.1	1546X2235
CF350B356TAP-316	316 S.S.	419.1	28.5	M10*36	356.1	15.8	388.9	154617245

Note:Inch spec. refer to page 3-4



➔ Bored Flange

Rotatable



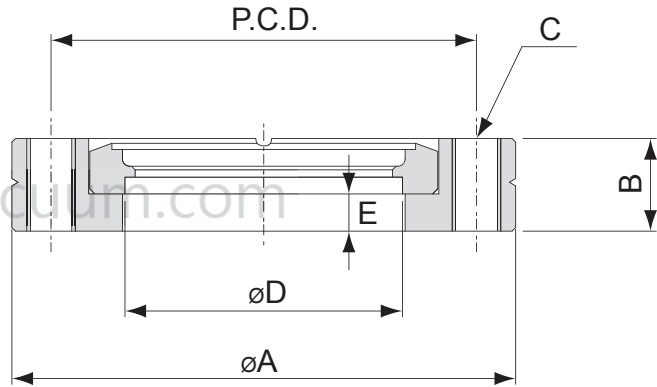
Model No.	Material	A	B	C*No.	D	E	P.C.D.	Parts No.
CR35B25	304 S.S.	69.5	12.7	6.7*6	25.6	5.1	58.7	154704113
CR35B38	304 S.S.	69.5	12.7	6.7*6	38.3	5.1	58.7	154704133
CR35B42	304 S.S.	69.5	12.7	6.7*6	42.9	5.1	58.7	154704AG3
CR63B51	304 S.S.	113.6	19	8.4*8	51.1	6.3	92.1	154707143
CR63B63	304 S.S.	113.6	19	8.4*8	63.7	6.3	92.1	154707153
CR100B102	304 S.S.	151.6	21.5	8.4*16	102.2	7.2	130.3	154709183
CR150B153	304 S.S.	202.5	24	8.4*20	153.1	8.2	181	154711203
CR200B204	304 S.S.	253.2	24.7	8.4*24	203.7	7.5	231.8	154713213
CR250B255	304 S.S.	304	28.5	8.4*32	255	8.8	284	1547X1223
CR275B255	304 S.S.	336.5	28.5	10.3*30	255	8.8	306.3	154714223
CR300B305-14"	304 S.S.	355.6	28.5	10.3*30	305.3	8.8	325.5	154715233
CR300B305	304 S.S.	368.3	28.5	10.3*32	305.3	8.8	338.1	1547X2233
CR350B356	304 S.S.	419.1	28.5	10.3*36	356.1	8.8	388.9	154717243
CF35B25-316	316 S.S.	69.5	12.7	6.7*6	25.6	5.1	58.7	154704115
CR35B38-316	316 S.S.	69.5	12.7	6.7*6	38.3	5.1	58.7	154704135
CR35B42-316	316 S.S.	69.5	12.7	6.7*6	42.9	5.1	58.7	154704AG5
CR63B51-316	316 S.S.	113.6	19	8.4*8	51.1	6.3	92.1	154707145
CR63B63-316	316 S.S.	113.6	19	8.4*8	63.7	6.3	92.1	154707155
CR100B102-316	316 S.S.	151.6	21.5	8.4*16	102.2	7.2	130.3	154709185
CR150B153-316	316 S.S.	202.5	24	8.4*20	153.1	8.2	181	154711205
CR200B204-316	316 S.S.	253.2	24.7	8.4*24	203.7	7.5	231.8	154713215
CR250B255-316	316 S.S.	304	28.5	8.4*32	255	8.8	284	1547X1225
CR275B255-316	316 S.S.	336.5	28.5	10.3*30	255	8.8	306.3	154714225
CR300B305-14"-316	316 S.S.	355.6	28.5	10.3*30	305.3	8.8	325.5	154715235
CR300B305-316	316 S.S.	368.3	28.5	10.3*32	305.3	8.8	338.1	1547X2235
CR350B356-316	316 S.S.	419.1	28.5	10.3*36	356.1	8.8	388.9	154717245

Note: Inch spec. refer to page 3-4



➤ Bored Flange

Rotatable-Tapped Bolt Holes

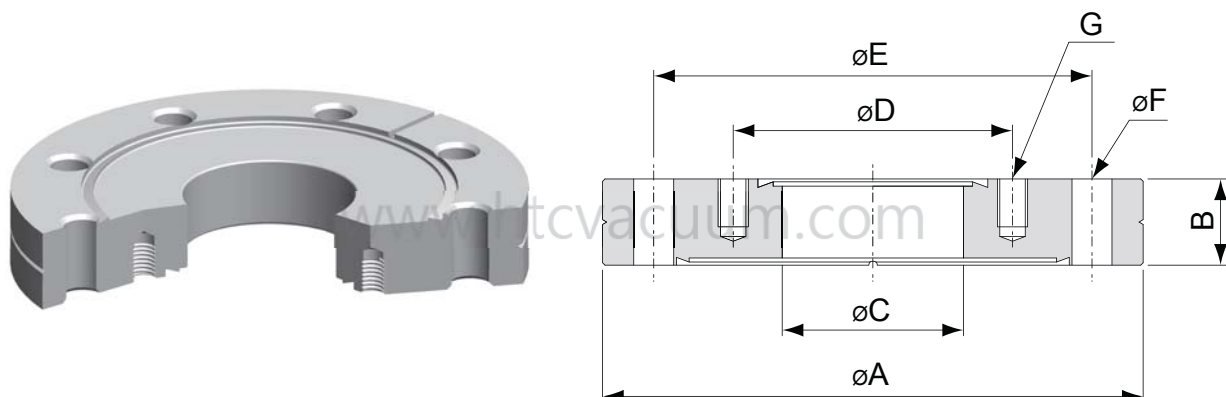


Model No.	Material	A	B	C*No.	D	E	P.C.D.	Parts No.
CR35B25TAP	304 S.S.	69.5	12.7	M6*6	25.6	5.1	58.7	154804113
CR35B38TAP	304 S.S.	69.5	12.7	M6*6	38.3	5.1	58.7	154804133
CR35B42TAP	304 S.S.	69.5	12.7	M6*6	42.9	5.1	58.7	154804AG3
CR63B51TAP	304 S.S.	113.6	19	M8*8	51.1	6.3	92.1	154807143
CR63B63TAP	304 S.S.	113.6	19	M8*8	63.7	6.3	92.1	154807153
CR100B102TAP	304 S.S.	151.6	21.5	M8*16	102.2	7.2	130.3	154809183
CR150B153TAP	304 S.S.	202.5	24	M8*20	153.1	8.2	181	154811203
CR200B204TAP	304 S.S.	253.2	24.7	M8*24	203.7	7.5	231.8	154813213
CR250B255TAP	304 S.S.	304	28.5	M8*32	255	8.8	284	1548X1223
CR275B255TAP	304 S.S.	336.5	28.5	M10*30	255	8.8	306.3	154814223
CR300B305TAP-14"	304 S.S.	355.6	28.5	M10*30	305.3	8.8	325.5	154815233
CR300B305TAP	304 S.S.	368.3	28.5	M10*32	305.3	8.8	338.1	1548X2233
CR350B356TAP	304 S.S.	419.1	28.5	M10*36	356.1	8.8	388.9	154817243
CR35B25TAP-316	316 S.S.	69.5	12.7	M6*6	25.6	5.1	58.7	154804115
CR35B38TAP-316	316 S.S.	69.5	12.7	M6*6	38.3	5.1	58.7	154804135
CR35B42TAP-316	316 S.S.	69.5	12.7	M6*6	42.9	5.1	58.7	154804AG5
CR63B51TAP-316	316 S.S.	113.6	19	M8*8	51.1	6.3	92.1	154807145
CR63B63TAP-316	316 S.S.	113.6	19	M8*8	63.7	6.3	92.1	154807155
CR100B102TAP-316	316 S.S.	151.6	21.5	M8*16	102.2	7.2	130.3	154809185
CR150B153TAP-316	316 S.S.	202.5	24	M8*20	153.1	8.2	181	154811205
CR200B204TAP-316	316 S.S.	253.2	24.7	M8*24	203.7	7.5	231.8	154813215
CR250B255TAP-316	316 S.S.	304	28.5	M8*32	255	8.8	284	1548X1225
CR275B255TAP-316	316 S.S.	336.5	28.5	M10*30	255	8.8	306.3	154814225
CR300B305TAP-14"-316	316 S.S.	355.6	28.5	M10*30	305.3	8.8	325.5	154815235
CR300B305TAP-316	316 S.S.	368.3	28.5	M10*32	305.3	8.8	338.1	1548X2235
CR350B356TAP-316	316 S.S.	419.1	28.5	M10*36	356.1	8.8	388.9	154817245

Note:Inch spec. refer to page 3-4



➤ Reducing Flange

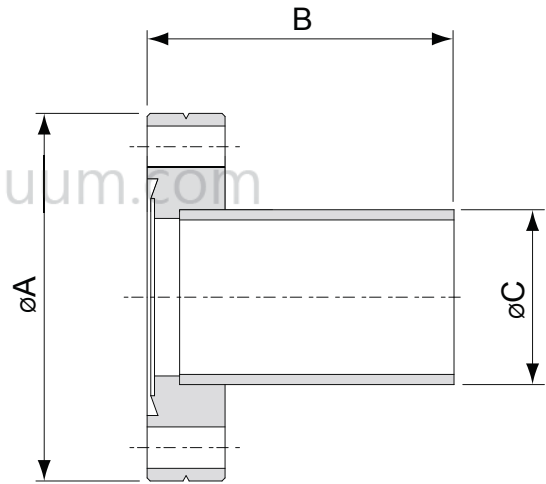


Model No.	Material	A	B	C	D	E	F*No.	G*No.	Thread Depth	Parts No.
CF35RF16	304 S.S.	69.5	12.7	15.8	26.9	58.7	6.7*6	M4*6	7	17480409052
CF63RF16	304 S.S.	113.6	18	15.8	26.9	92.1	8.4*8	M4*6	10	17480709052
CF63RF35	304 S.S.	113.6	18	38.1	58.7	92.1	8.4*8	M6*6	10	17480709082
CF100RF35	304 S.S.	151.6	20	38.1	58.7	130.3	8.4*16	M6*6	12	17480909082
CF100RF63	304 S.S.	151.6	20	63.5	92.1	130.3	8.4*16	M8*8	12	17480909132
CF150RF35	304 S.S.	202.5	22	38.1	58.7	181	8.4*20	M6*6	12	17481109082
CF150RF63	304 S.S.	202.5	22	63.5	92.1	181	8.4*20	M8*8	14	17481109132
CF150RF100	304 S.S.	202.5	22	101.6	130.3	181	8.4*20	M8*16	14	17481109152
CF200RF35	304 S.S.	253.2	24.7	38.1	58.7	231.8	8.4*24	M6*6	12	17481309082
CF200RF63	304 S.S.	253.2	24.7	63.5	92.1	231.8	8.4*24	M8*8	15	17481309132
CF200RF100	304 S.S.	253.2	24.7	101.6	130.3	231.8	8.4*24	M8*16	15	17481309152
CF200RF150	304 S.S.	253.2	24.7	152.4	181	231.8	8.4*24	M8*20	15	17481309172
CF275RF35	304 S.S.	336.5	28.5	38.1	58.7	306.3	10.3*30	M6*6	12	17481409082
CF275RF63	304 S.S.	336.5	28.5	63.5	92.1	306.3	10.3*30	M8*8	15	17481409132
CF275RF100	304 S.S.	336.5	28.5	101.6	130.3	306.3	10.3*30	M8*16	15	17481409152
CF275RF150	304 S.S.	336.5	28.5	152.4	181	306.3	10.3*30	M8*20	15	17481409172
CF275RF200	304 S.S.	336.5	28.5	203.2	231.8	306.3	10.3*30	M8*24	15	17481409192

Note: Inch spec. refer to page 3-4

➔ Half Nipple

Nonrotatable



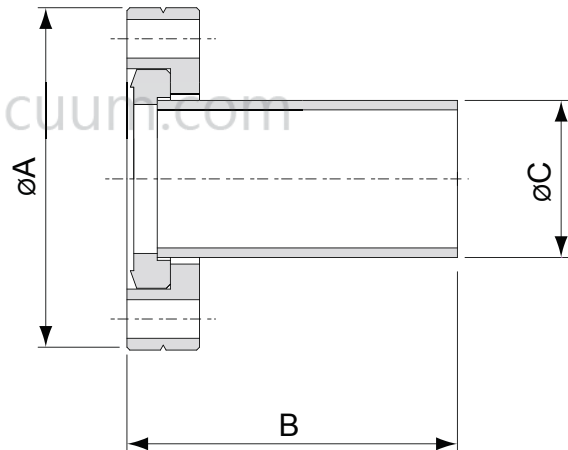
Model No.	Material	Inch spec.	A	B	C	Parts No.
CF16HN	304 S.S.	1-1/3"	33.8	38	19.05	155502093
CF35HN	304 S.S.	2-3/4"	69.5	63	38.1	155504133
CF63HN	304 S.S.	4-1/2"	113.6	105	63.5	155507153
CF100HN	304 S.S.	6"	151.6	135	101.6	155509183
CF150HN	304 S.S.	8"	202.5	167	152.4	155511203
CF200HN	304 S.S.	10"	253.2	167	203.2	155513213

* Part number plus "K" for sand blasting surface

* Part number plus "L" for polished surface

➔ Half Nipple

Rotatable



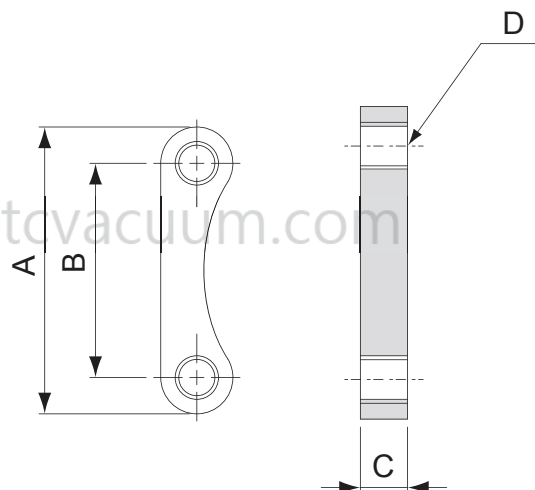
Model No.	Material	Inch spec.	A	B	C	Parts No.
CR16HN	304 S.S.	1-1/3"	33.8	38	19.05	155702093
CR35HN	304 S.S.	2-3/4"	69.5	63	38.1	155704133
CR63HN	304 S.S.	4-1/2"	113.6	105	63.5	155707153
CR100HN	304 S.S.	6"	151.6	135	101.6	155709183
CR150HN	304 S.S.	8"	202.5	167	152.4	155711203
CR200HN	304 S.S.	10"	253.2	167	203.2	155713213

* Part number plus "K" for sand blasting surface

* Part number plus "L" for polished surface

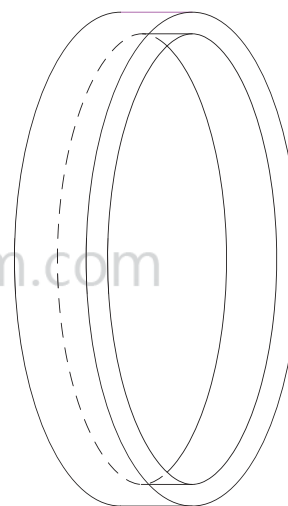


➤ Plate Nut



Model No.	Material	A	B	C	D	Parts No.
CF16PN	304 S.S.	19.5	13.5	4	M4	21320541
CF35PN	304 S.S.	39.5	29.5	6	M6	21320741
CF63PN	304 S.S.	50.2	35.2	8	M8	21321041
CF100PN	304 S.S.	40.4	25.4	8.2	M8	21321241
CF150PN	304 S.S.	43.3	28.3	8	M8	21321441
CF200PN	304 S.S.	45.3	30.3	8	M8	21321641

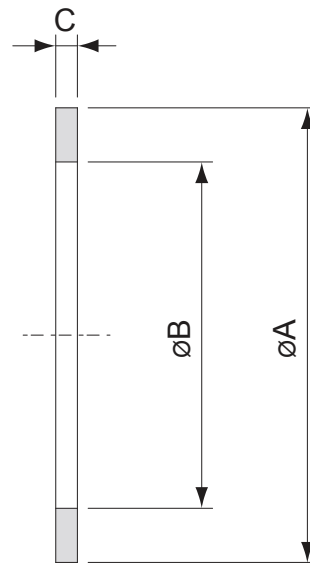
➤ Cap



Model No.	Material	Fits Flange	Parts No.
CF16CAP	Polyethylene	CF16	5085EZ
CF35CAP	Polyethylene	CF35	5085GZ
CF63CAP	Polyethylene	CF63	5085H0
CF100CAP	Polyethylene	CF100	5085HY
CF150CAP	Polyethylene	CF150	5085HZ
CF200CAP	Polyethylene	CF200	5085LZ

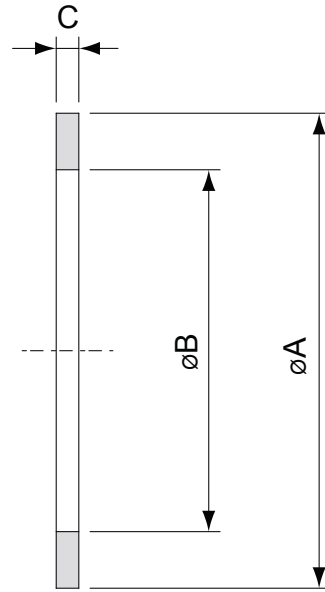


➔ **OFHC CF Copper Gasket**



Model No.	A	B	C	Fits Flange	Inch spec.	Pack Quantity	Parts No.
CF16CG	21.3	16	2	CF16	1-1/3"	10	21310581
CF25CG	32.8	25.6	2	CF25	2-1/8"	10	21310681
CF35CG	48.2	36.9	2	CF35	2-3/4"	10	21310781
CF50CG	61.6	50.9	2	CF50	3-3/8"	10	21310981
CF63CG	82.4	63.5	2	CF63	4-1/2"	10	21311081
CF80CG	91.4	76.4	2	CF80	4-5/8"	10	21311181
CF100CG	120.5	101.7	2	CF100	6"	10	21311281
CF125CG	141.4	127.2	2	CF125	6-3/4"	10	21311381
CF150CG	171.1	152.5	2	CF150	8"	5	21311481
CF200CG	222	203.3	2	CF200	10"	5	21311681
CF250CG	272.9	254.2	2	CF250	12"	5	21311782
CF275CG	294.4	274.1	2	CF275	13-1/4"	5	21311781
CF300CG	326	305	2	CF300	14-1/2"	5	21311882
CF300CG-14"	313.1	300	2	CF300-14"	14"	5	21311881
CF350CG	376.7	356.5	2	CF350	16-1/2"	5	21312081

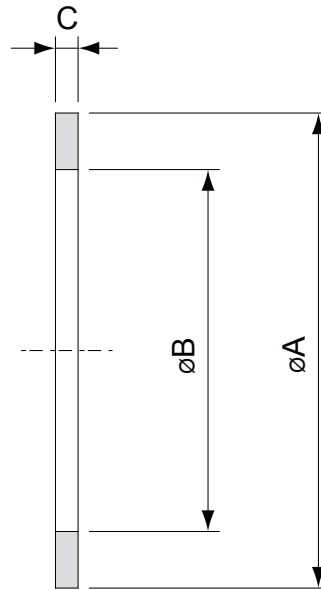
➤ OFHC Annealed Gasket



Model No.	A	B	C	Fits Flange	Inch spec.	Pack Quantity	Parts No.
CF16CGA	21.3	16	2	CF16	1-1/3"	5	213105N1
CF25CGA	32.8	25.6	2	CF25	2-1/8"	5	213106N1
CF35CGA	48.2	36.9	2	CF35	2-3/4"	5	213107N1
CF50CGA	61.6	50.9	2	CF50	3-3/8"	5	213109N1
CF63CGA	82.4	63.5	2	CF63	4-1/2"	5	213110N1
CF80CGA	91.4	76.4	2	CF80	4-5/8"	5	213111N1
CF100CGA	120.5	101.7	2	CF100	6"	5	213112N1
CF125CGA	141.4	127.2	2	CF125	6-3/4"	5	213113N1
CF150CGA	171.1	152.5	2	CF150	8"	5	213114N1
CF200CGA	222	203.3	2	CF200	10"	5	213116N1
CF250CGA	272.9	254.2	2	CF250	12"	1	213117N2
CF275CGA	294.4	274.1	2	CF275	13-1/4"	1	213117N1
CF300CGA	326	305	2	CF300	14-1/2"	1	213118N2
CF300CGA-14"	313.1	300	2	CF300-14"	14"	1	213118N1
CF350CGA	376.7	356.5	2	CF350	16-1/2"	1	213120N1

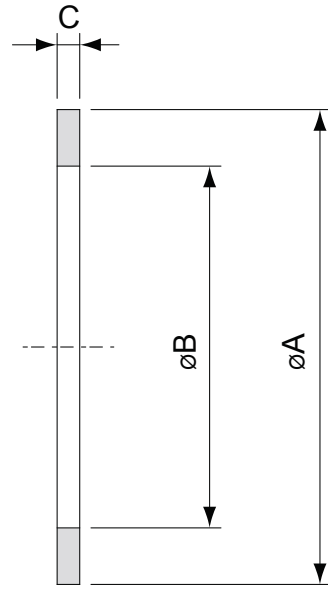


➤ OFHC+Silver plated Gasket



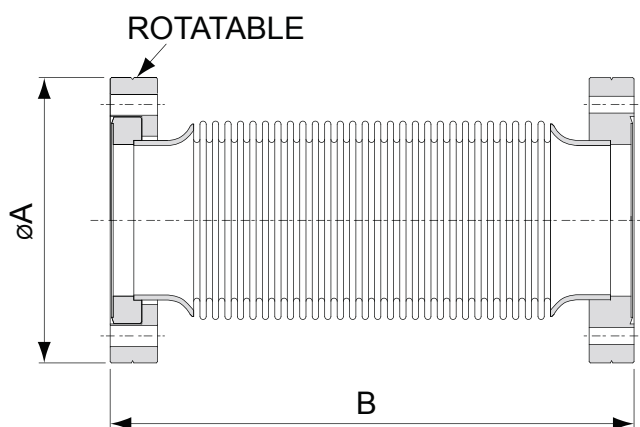
Model No.	A	B	C	Fits Flange	Inch spec.	Pack Quantity	Parts No.
CF16SPCG	21.3	16	2	CF16	1-1/3"	10	21310591
CF25SPCG	32.8	25.6	2	CF25	2-1/8"	10	21310691
CF35SPCG	48.2	36.9	2	CF35	2-3/4"	10	21310791
CF50SPCG	61.6	50.9	2	CF50	3-3/8"	10	21310991
CF63SPCG	82.4	63.5	2	CF63	4-1/2"	10	21311091
CF80SPCG	91.4	76.4	2	CF80	4-5/8"	10	21311191
CF100SPCG	120.5	101.7	2	CF100	6"	10	21311291
CF125SPCG	141.4	127.2	2	CF125	6-3/4"	10	21311391
CF150SPCG	171.1	152.5	2	CF150	8"	10	21311491
CF200SPCG	222	203.3	2	CF200	10"	10	21311691
CF250SPCG	272.9	254.2	2	CF250	12"	1	21311792
CF275SPCG	294.4	274.1	2	CF275	13-1/4"	1	21311791
CF300SPCG	326	305	2	CF300	14-1/2"	1	21311892
CF300SPCG-14"	313.1	300	2	CF300-14"	14"	1	21311891
CF350SPCG	376.7	356.5	2	CF350	16-1/2"	1	21312091

➤ Viton Gasket



Model No.	A	B	C	Fits Flange	Inch spec.	Pack Quantity	Parts No.
CF16VG	21.3	16	3	CF16	1-1/3"	10	213105C1
CF25VG	32.8	26	3	CF25	2-1/8"	10	213106C1
CF35VG	48	37	3	CF35	2-3/4"	10	213107C1
CF50VG	61.6	51	3	CF50	3-3/8"	10	213109C1
CF63VG	82	64	3	CF63	4-1/2"	10	213110C1
CF80VG	91	77	3	CF80	4-5/8"	10	213111C1
CF100VG	120	101	3	CF100	6"	10	213112C1
CF125VG	141.2	127.4	3	CF125	6-3/4"	10	213113C1
CF150VG	171	152	3	CF150	8"	10	213114C1
CF200VG	222	203	3	CF200	10"	10	213116C1
CF250VG	272.7	254.4	3	CF250	12"	10	213117C2
CF275VG	294	269	3	CF275	13-1/4"	10	213117C1
CF300VG	325.8	305.2	3	CF300	14-1/2"	10	213118C2
CF300VG-14"	312.9	300.2	3	CF300-14"	14"	10	213118C1
CF350VG	376.7	359	3	CF350	16-1/2"	10	213120C1

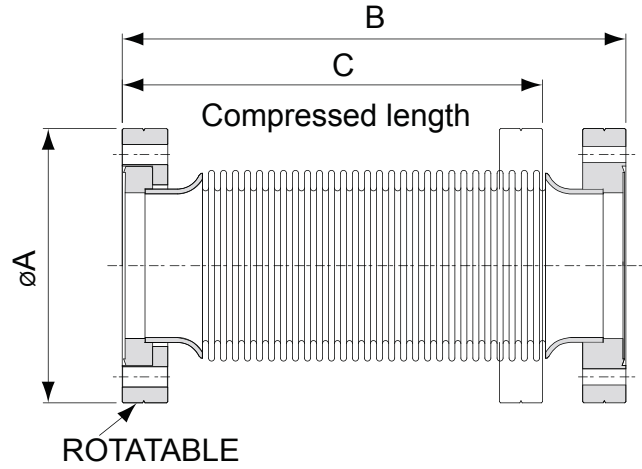
➔ **CF Flexible Hoses-One Flange Rotatable**



Model No.	Material	A	B	Parts No.
CF16FX250R	304 S.S.	33.8	250	40010550250FH
CF16FX500R	304 S.S.	33.8	500	40010550500FH
CF16FX750R	304 S.S.	33.8	750	40010550750FH
CF16FX1000R	304 S.S.	33.8	1000	40010551000FH
CF35FX250R	304 S.S.	69.5	250	40010570250FH
CF35FX500R	304 S.S.	69.5	500	40010570500FH
CF35FX750R	304 S.S.	69.5	750	40010570750FH
CF35FX1000R	304 S.S.	69.5	1000	40010571000FH
CF63FXC250R	304 S.S.	113.6	250	40310670250FH
CF63FXC500R	304 S.S.	113.6	500	40310670500FH
CF63FXC750R	304 S.S.	113.6	750	40310670750FH
CF63FXC1000R	304 S.S.	113.6	1000	40310671000FH
CF100FXC250R	304 S.S.	151.6	250	40310690250FH
CF100FXC500R	304 S.S.	151.6	500	40310690500FH
CF100FXC750R	304 S.S.	151.6	750	40310690750FH
CF100FXC1000R	304 S.S.	151.6	1000	40310691000FH

Note: Inch spec. refer to page 3-4

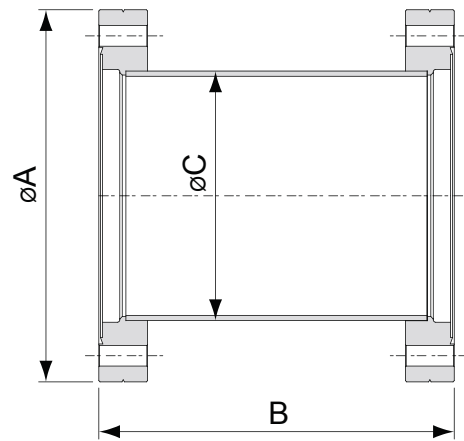
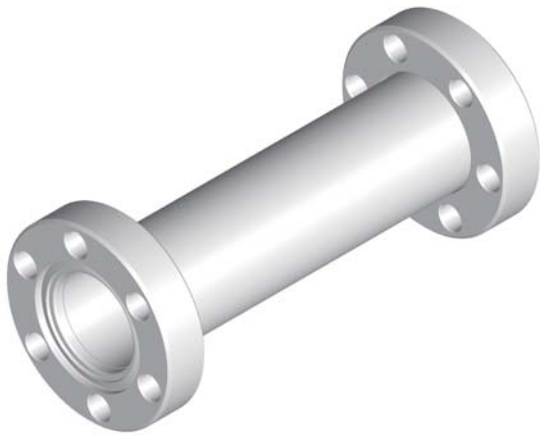
CF Compressible Bellows Connections- One Flange Rotatable



Model No.	Material Excluding Bellows	A	B	C	Parts No.
CF16FXC150R	304 S.S.	33.8	150	130	40310430150FH
CF35FXC180R	304 S.S.	69.5	180	160	40310450180FH
CF63FXC210R	304 S.S.	113.6	210	190	40310470210FH
CF100FXC270R	304 S.S.	151.6	270	250	40310490270FH

Note: Inch spec. refer to page 3-4

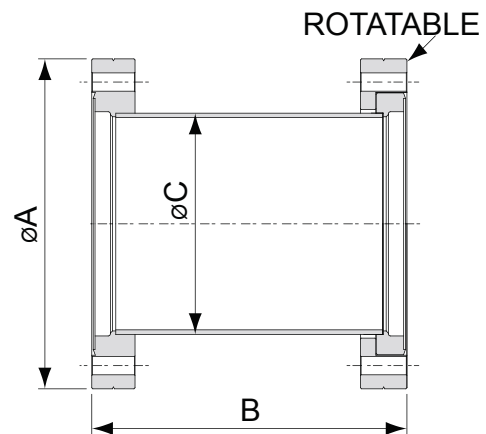
➔ CF Nipples-Fixed



Model No.	Material	A	B	C	Parts No.
CF16N76	304 S.S.	33.8	76	19.05	160180280200764
CF35N126	304 S.S.	69.5	126	38.1	160180480401264
CF63N210	304 S.S.	113.6	210	63.5	160180780702104
CF100N270	304 S.S.	151.6	270	101.6	160180980902704
CF150N334	304 S.S.	202.5	334	152.4	160181181103344
CF200N334	304 S.S.	253.2	334	203.2	160181381303344

Note: Inch spec. refer to page 3-4 * Part number plus "K" for sand blasting surface
 * Part number plus "L" for polished surface

➔ CF Nipples-One Flange Rotatable

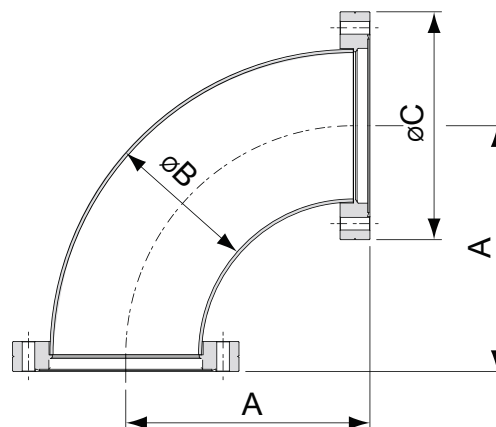


Model No.	Material	A	B	C	Parts No.
CF16NR76	304 S.S.	33.8	76	19.05	160160280200764
CF35NR126	304 S.S.	69.5	126	38.1	160160480401264
CF63NR210	304 S.S.	113.6	210	63.5	160160780702104
CF100NR270	304 S.S.	151.6	270	101.6	160160980902704
CF150NR334	304 S.S.	202.5	334	152.4	160161181103344
CF200NR334	304 S.S.	253.2	334	203.2	160161381303344

Note: Inch spec. refer to page 3-4 * Part number plus "K" for sand blasting surface
 * Part number plus "L" for polished surface



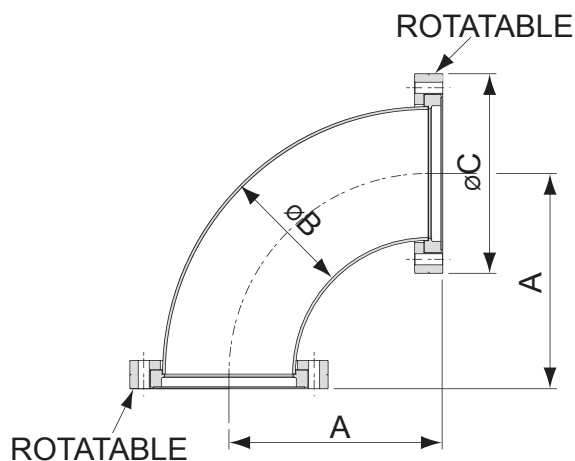
CF 90° Elbows-Fixed



Model No.	Material	A	B	C	Parts No.
CF16EL90	304 S.S.	37.5	19.05	33.8	16038028024
CF35EL90	304 S.S.	79.9	38.1	69.5	16038048044
CF63EL90	304 S.S.	141.3	63.5	113.6	16038078074
CF100EL90	304 S.S.	222.2	101.6	151.6	16038098094
CF150EL90	304 S.S.	241.3	152.4	202.5	16038118114
CF200EL90	304 S.S.	215.9	219.08	253.2	160381381342A
CF250EL90	304 S.S.	266.7	273.05	336.5	160381481442A

Note: Inch spec. refer to page 3-4 * Part number plus "K" for sand blasting surface
 * Part number plus "L" for polished surface

CF90° Elbows-Rotatable

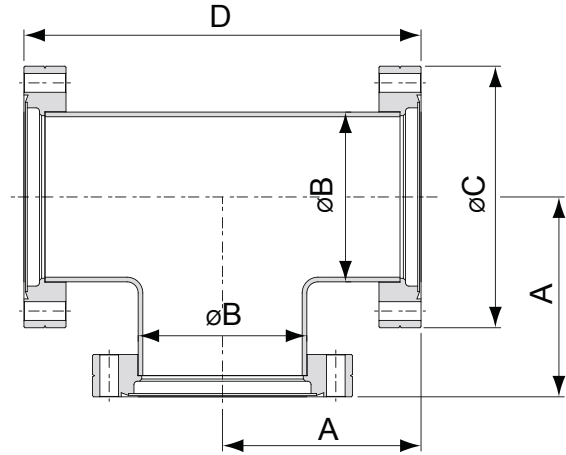


Model No.	Material	A	B	C	Parts No.
CR16EL90	304 S.S.	47.2	19.05	33.8	16036026024
CR35EL90	304 S.S.	79.8	38.1	69.5	16036046044
CR63EL90	304 S.S.	141.3	63.5	113.6	16036076074
CR100EL90	304 S.S.	222.2	101.6	151.6	16036096094
CR150EL90	304 S.S.	241.3	152.4	202.5	16036116114
CR200EL90	304 S.S.	215.9	219.08	253.2	160361361342A
CR250EL90	304 S.S.	266.7	273.05	336.5	160361461442A

Note: Inch spec. refer to page 3-4 * Part number plus "K" for sand blasting surface
 * Part number plus "L" for polished surface



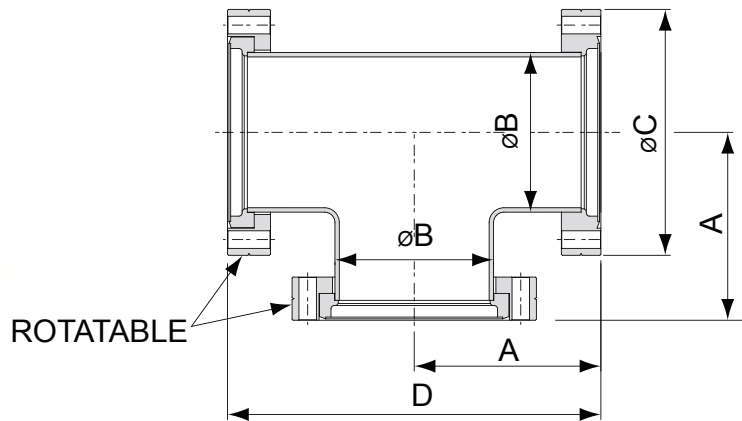
➔ **CF Tees-Fixed**



Model No.	Material	A	B	C	D	Parts No.
CF16T	304 S.S.	37.5	19.05	33.8	75	16158028024
CF35T	304 S.S.	62.5	38.1	69.5	125	16158048044
CF63T	304 S.S.	85.7	63.5	113.6	171.4	16158078074
CF100T	304 S.S.	109.5	101.6	151.6	219	16158098094
CF150T	304 S.S.	139.7	152.4	202.5	279.4	16158118114

Note:Inch spec. refer to page 3-4 * Part number plus "K" for sand blasting surface
 * Part number plus "L" for polished surface

➔ **CF Tees- Two Flange Rotatable**

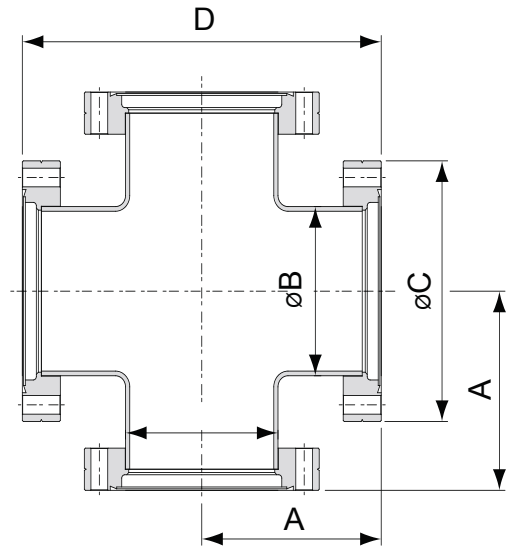


Model No.	Material	A	B	C	D	Parts No.
CR16T	304 S.S.	47.2	19.05	33.8	94.4	16156028024
CR35T	304 S.S.	62.5	38.1	69.5	125	16156048044
CR63T	304 S.S.	85.7	63.5	113.6	171.4	16156078074
CR100T	304 S.S.	109.5	101.6	151.6	219	16156098094
CR150T	304 S.S.	139.7	152.4	202.5	279.4	16156118114

Note:Inch spec. refer to page 3-4 * Part number plus "K" for sand blasting surface
 * Part number plus "L" for polished surface



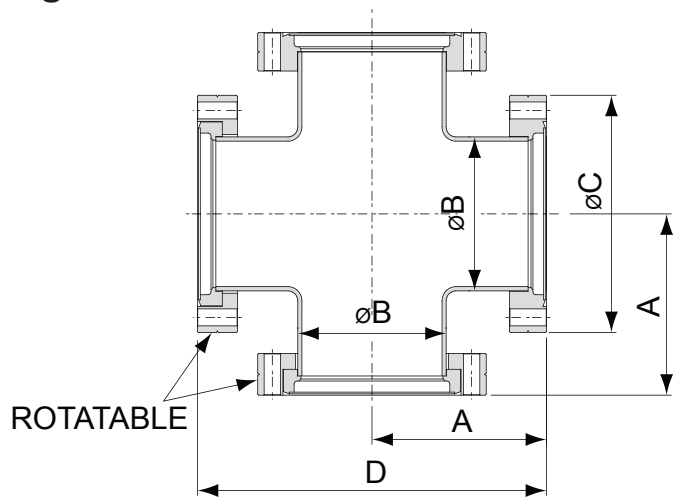
➔ CF 4 Way Crosses-Fixed



Model No.	Material	A	B	C	D	Parts No.
CF16X	304 S.S.	37.5	19.05	33.8	75	16198028024
CF35X	304 S.S.	62.5	38.1	69.5	125	16198048044
CF63X	304 S.S.	85.7	63.5	113.6	171.4	16198078074
CF100X	304 S.S.	109.5	101.6	151.6	219	16198098094
CF150X	304 S.S.	139.7	152.4	202.5	279.4	16198118114

Note: Inch spec. refer topage 3-4 * Part number plus "K" for sand blasting surface
 * Part number plus "L" for polished surface

➔ CF 4 Way Crosses-Two Flange Rotatable

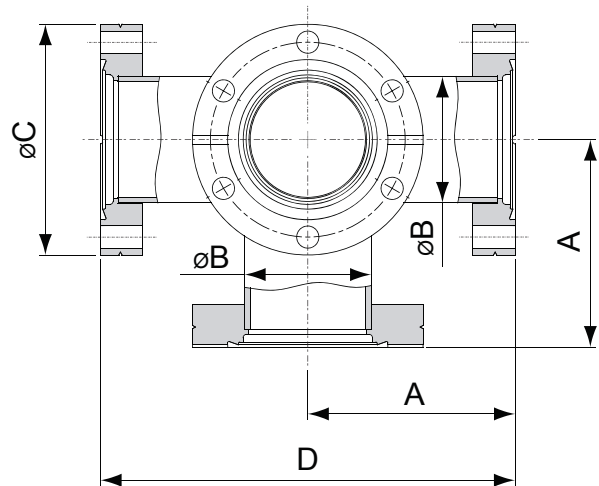


Model No.	Material	A	B	C	D	Parts No.
CR16X	304 S.S.	47.2	19.05	33.8	94.4	16196028024
CR35X	304 S.S.	62.5	38.1	69.5	125	16196048044
CR63X	304 S.S.	85.7	63.5	113.6	171.4	16196078074
CR100X	304 S.S.	109.5	101.6	151.6	219	16196098094
CR150X	304 S.S.	139.7	152.4	202.5	279.4	16196118114

Note: Inch spec. refer to page 3-4 * Part number plus "K" for sand blasting surface
 * Part number plus "L" for polished surface



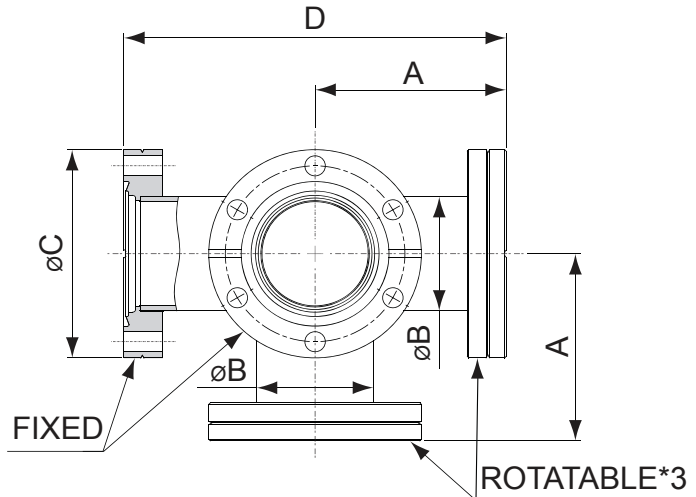
➤ **CF Five-Way Crosses-Fixed**



Model No.	Material	A	B	C	D	Parts No.
CF16FXA	304 S.S.	37.5	19.05	33.8	75	16268028024
CF35FXA	304 S.S.	62.5	38.1	69.5	125	16268048044
CF63FXA	304 S.S.	85.7	63.5	113.6	171.4	16268078074
CF100FXA	304 S.S.	109.5	101.6	151.6	219	16268098094
CF150FXA	304 S.S.	139.7	152.4	202.5	279.4	16268118114

Note: Inch spec. refer to page 3-4 * Part number plus "K" for sand blasting surface
 * Part number plus "L" for polished surface

➤ **CF Five-Way Crosses-Three Flange Rotatable**

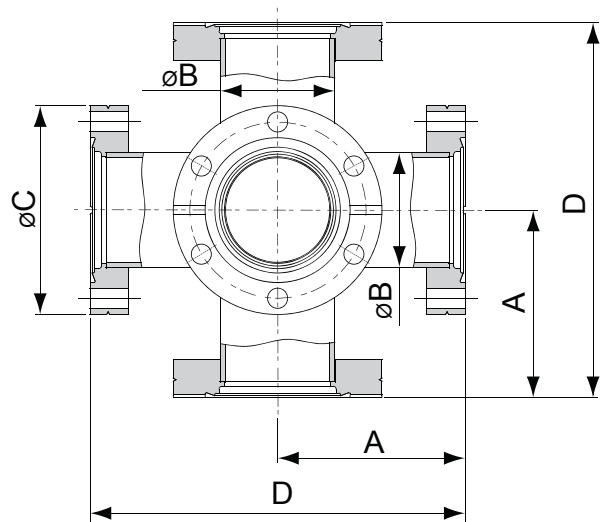


Model No.	Material	A	B	C	D	Parts No.
CR16FXA	304 S.S.	47.2	19.05	33.8	94.4	16266028024
CR35FXA	304 S.S.	62.5	38.1	69.5	125	16266048044
CR63FXA	304 S.S.	85.7	63.5	113.6	171.4	16266078074
CR100FXA	304 S.S.	109.5	101.6	151.6	219	16266098094
CR150FXA	304 S.S.	139.7	152.4	202.5	279.4	16266118114

* Part number plus "K" for sand blasting surface
 * Part number plus "L" for polished surface



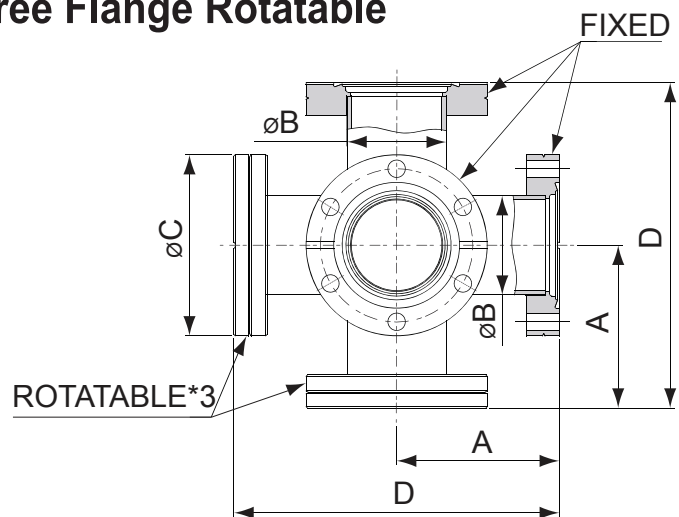
➤ CF Six-Way Crosses-Fixed



Model No.	Material	A	B	C	D	Parts No.
CF16SXA	304 S.S.	37.5	19.05	33.8	75	16288028024
CF35SXA	304 S.S.	62.5	38.1	69.5	125	16288048044
CF63SXA	304 S.S.	85.7	63.5	113.6	171.4	16288078074
CF100SXA	304 S.S.	109.5	101.6	151.6	219	16288098094
CF150SXA	304 S.S.	139.7	152.4	202.5	279.4	16288118114

Note: Inch spec. refer to page 3-4 * Part number plus "K" for sand blasting surface
 * Part number plus "L" for polished surface

➤ CF Six-Way Crosses- Three Flange Rotatable

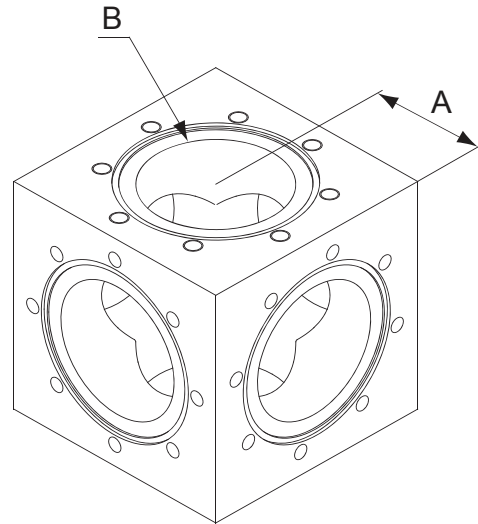
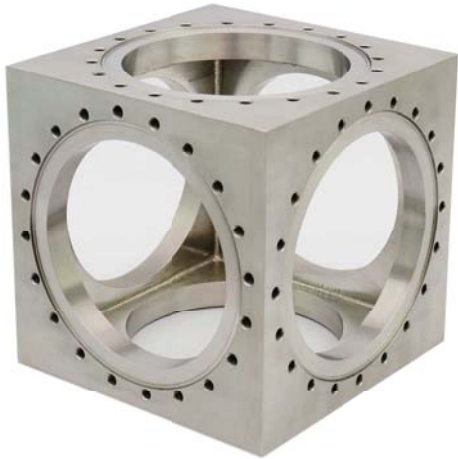


Model No.	Material	A	B	C	D	Parts No.
CR16SXA	304 S.S.	47.2	19.05	33.8	94.4	16286028024
CR35SXA	304 S.S.	62.5	38.1	69.5	125	16286048044
CR63SXA	304 S.S.	85.7	63.5	113.6	171.4	16286078074
CR100SXA	304 S.S.	109.5	101.6	151.6	219	16286098094
CR150SXA	304 S.S.	139.7	152.4	202.5	279.4	16286118114

Note: Inch spec. refer to page 3-4 * Part number plus "K" for sand blasting surface
 * Part number plus "L" for polished surface



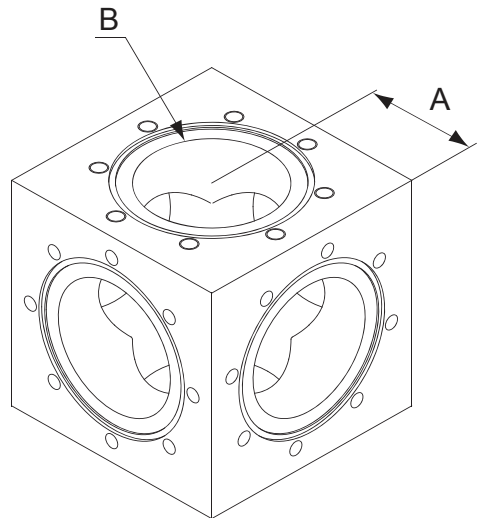
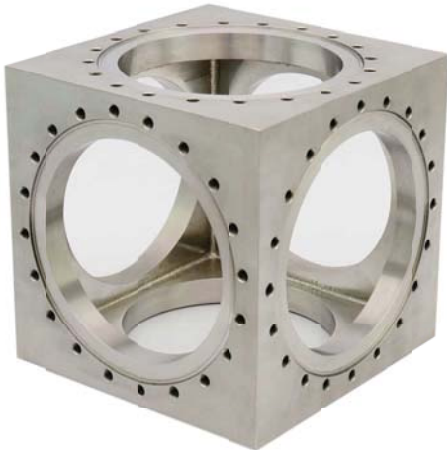
➤ **CF CUBES with Fractional Thread**



Model No.	Flange size	Material	A	B	Thread Size	Thread Depth	Parts No.
CF16CUF	CF16	304 S.S.	17.25	15.7	8-32	6.35	16809029024
CF35CUF	CF35	304 S.S.	35.05	38.1	.250-28	9.4	16809049044
CF50CUF	CF50	304 S.S.	43	50.8	.312-24	9.4	16809069064
CF63CUF	CF63	304 S.S.	56.65	63.5	.312-24	12.7	16809079074
CF100CUF	CF100	304 S.S.	76.2	102	.312-24	12.7	16809099094
CF150CUF	CF150	304 S.S.	101.6	152.4	.312-24	12.7	16809119114
CF200CUF	CF200	304 S.S.	127	203.2	.312-24	12.7	16809139134

Note: Inch spec. refer to page 3-4

➤ **CF CUBES with Metric Thread**



Model No.	Flange size	Material	A	B	Thread Size	Thread Depth	Parts No.
CF16CUM	CF16	304 S.S.	17.25	15.7	M4	6	16819029024
CF35CUM	CF35	304 S.S.	35.05	38.1	M6	9	16819049044
CF50CUM	CF50	304 S.S.	43	50.8	M8	9	16819069064
CF63CUM	CF63	304 S.S.	56.65	63.5	M8	12	16819079074
CF100CUM	CF100	304 S.S.	76.2	102	M8	12	16819099094
CF150CUM	CF150	304 S.S.	101.6	152.4	M8	12	16819119114
CF200CUM	CF200	304 S.S.	127	203.2	M8	12	16819139134

Note: Inch spec. refer to page 3-4

